



GDS

Guarnizioni per TENUTE STATICHE
STATIC seals

TECNOLAN

Versione standard	Standard version
Poliuretano	<i>Polyurethane</i>
Pressione fino a / Pressure up to	
50 MPa	
Temperatura / Temperature	
-35°C +100°C	-45°C +110°C PN 522
Applicazioni	Applications
Presse Carrelli Elevatori Cilindri Idraulici Idraulica mobile	<i>Presses Fork Lifts Hydraulic Cylinders Mobile hydraulics</i>



GUARNITEC

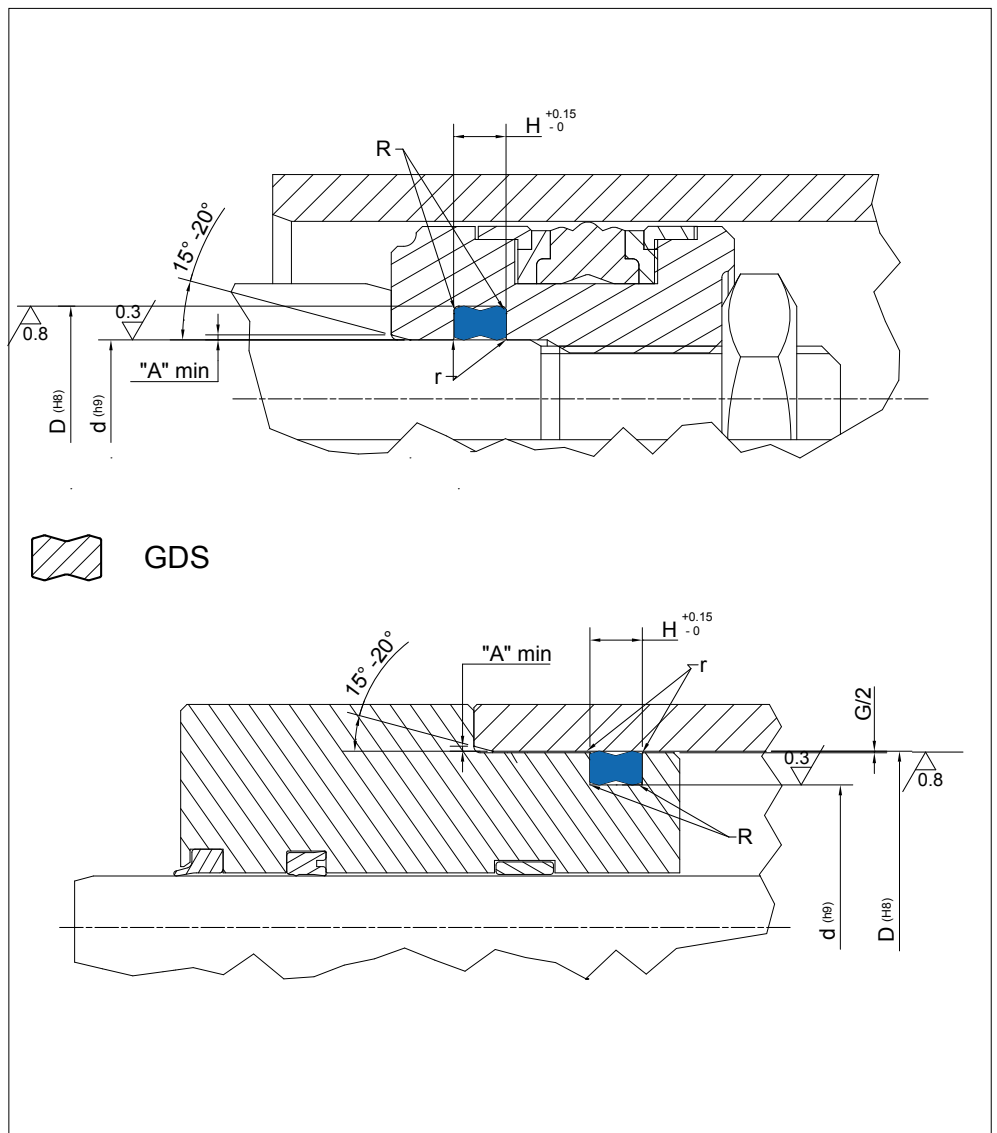
Guarnizioni per TENUTE STATICHE
STATIC seals

GDS

288÷294



GDS 2000



Static Seal design guidelines

R	0mm < d ≤ 20mm	20mm < d ≤ 50mm	50mm < d ≤ 100mm	d ≥ 100mm
	max 0.50 mm	max 0.80 mm	max 1 mm	max 1.5 mm
r	remove sharp edges: r ≤ 0.3mm			
A	1 mm	2 mm	3 mm	3 mm < A ≤ 5 mm

Operating pressure to determinate Maximum Gap Allowance: G/2

G	10 MPa	20 MPa	30 MPa	40 MPa
	0.50 mm	0.40 mm	0.25 mm	0.18 mm

PART NR	DIMENSIONI SEDI / Housing dimensions		
	D	d	H
GDS 2000	6,00	12,00	3,10
GDS 2000/1	6,00	4,60	2,40
GDS 2000/2	10,00	7,60	3,60
GDS 2000/3	11,00	8,60	2,60
GDS 2000/4	12,00	9,60	3,60
GDS 2000/5	13,80	9,20	3,10
GDS 2000/6	15,00	12,60	3,60
GDS 2000/7	15,50	13,10	3,60
GDS 2000/8	16,00	13,60	3,60
GDS 2001	16,60	12,00	3,10
GDS 2002	17,00	14,60	3,60

GDS 2000

PART NR	DIMENSIONI SEDI / Housing dimensions		
	D	d	H
GDS 2003	18,00	14,00	5,80
GDS 2004	19,00	15,60	4,40
GDS 2004/1	19,00	15,60	3,60
GDS 2004/2	19,00	16,60	2,60
GDS 2004/3	19,00	16,60	3,60
GDS 2005	20,00	16,00	5,80
GDS 2005/1	20,00	16,60	4,40
GDS 2005/2	20,00	16,60	3,60
GDS 2005/3	20,00	17,60	3,60
GDS 2006	20,50	17,20	5,00
GDS 2006/1	21,00	17,60	4,40
GDS 2006/2	21,00	18,60	3,60
GDS 2006/2	21,50	18,10	4,40
GDS 2006/3	21,50	19,10	2,60
GDS 2006/4	22,00	19,60	3,60
GDS 2006/5	23,00	19,60	4,40
GDS 2006/6	23,00	20,60	3,60
GDS 2007	24,00	20,00	4,80
GDS 2007/1	24,00	21,60	3,60
GDS 2007/2	26,00	22,00	4,40
GDS 2008	26,80	22,00	5,40
GDS 2008/1	28,00	23,80	5,30
GDS 2008/2	28,60	25,60	3,60
GDS 2008/3	30,00	25,10	4,40
GDS 2009	30,00	25,40	5,40
GDS 2009/8	30,00	26,00	5,00
GDS 2009/2	31,00	26,40	5,00
GDS 2009/3	32,00	27,40	5,40
GDS 2009/9	32,00	28,00	5,00
GDS 2009/4	34,00	28,40	5,30
GDS 2009/5	34,00	31,10	3,60
GDS 2009/1	35,00	30,00	4,50
GDS 2009/6	35,00	30,40	5,00
GDS 2009/7	35,50	30,90	5,00
GDS 2009/10	35,00	31,00	5,00
GDS 2010	36,00	32,00	6,20
GDS 2010/1	38,00	32,40	5,30
GDS 2010/1	40,00	33,40	4,10
GDS 2011	40,00	35,20	5,40
GDS 2012	40,00	35,40	5,40
GDS 2012/1	40,60	35,10	4,80
GDS 2012/2	40,00	36,00	5,00
GDS 2013	42,80	38,00	6,80
GDS 2013/1	43,40	37,80	6,20
GDS 2014	45,00	35,80	9,60
GDS 2015	45,00	40,00	5,40
GDS 2015/1	48,00	42,40	3,50
GDS 2015/2	48,00	43,00	4,10
GDS 2015/3	48,00	44,40	4,50
GDS 2016	50,00	40,80	9,60
GDS 2016/1	50,00	43,80	5,60
GDS 2017	50,00	44,60	6,20



GDS 2000



PART NR	DIMENSIONI SEDI / Housing dimensions		
	D	d	H
GDS 2017/3	50,00	45,40	3,90
GDS 2017/5	50,00	45,40	5,40
GDS 2017/1	50,00	45,00	5,60
GDS 2017/2	52,00	42,00	5,60
GDS 2017/4	55,00	45,80	9,80
GDS 2018	55,00	49,60	6,20
GDS 2019	55,00	49,90	5,30
GDS 2019/1	55,00	50,00	6,70
GDS 2020	55,00	51,00	3,50
GDS 2021	57,00	52,20	4,10
GDS 2021/5	58,00	50,00	9,00
GDS 2021/1	58,00	52,60	4,10
GDS 2021/2	58,00	53,40	4,00
GDS 2021/3	58,50	54,50	3,30
GDS 2021/6	60,00	50,80	9,70
GDS 2021/4	60,00	53,60	5,60
GDS 2022	60,00	54,40	5,80
GDS 2023	60,00	54,60	6,20
GDS 2024	63,00	53,80	9,60
GDS 2025	63,00	56,60	6,40
GDS 2026	63,00	57,40	4,80
GDS 2027	63,00	57,60	6,20
GDS 2027/2	63,00	58,40	5,40
GDS 2027/1	64,00	59,00	3,30
GDS 2028	65,00	59,40	5,00
GDS 2029	65,00	59,60	6,20
GDS 2030	65,00	60,00	5,00
GDS 2030/2	65,50	61,10	5,00
GDS 2030/1	68,00	62,70	5,00
GDS 2030/3	69,60	65,00	3,90
GDS 2031	71,00	65,00	6,00
GDS 2031/1	70,00	64,60	6,20
GDS 2032	70,00	65,00	5,00
GDS 2032/1	70,00	66,40	6,20
GDS 2033	72,00	66,40	5,00
GDS 2033/1	72,80	65,70	5,00
GDS 2033/2	73,50	70,00	5,00
GDS 2033/3	74,60	70,00	3,80
GDS 2033/4	75,00	65,80	9,70
GDS 2034	75,00	69,40	5,30
GDS 2035	75,00	69,60	6,20
GDS 2036	76,60	72,00	4,80
GDS 2036/1	77,00	70,80	6,20
GDS 2037	78,00	73,00	5,00
GDS 2037/1	70,00	70,80	9,00
GDS 2038	80,00	70,80	9,70
GDS 2039	80,00	73,60	6,40
GDS 2040	80,00	73,80	6,90
GDS 2041	80,00	74,40	5,30
GDS 2041/5	80,00	74,60	6,20
GDS 2041/3	80,00	75,40	5,40
GDS 2041/4	80,00	76,00	3,60

GDS 2000

PART NR	DIMENSIONI SEDI / Housing dimensions		
	D	d	H
GDS 2041/2	82,00	76,90	3,00
GDS 2041/1	85,00	78,60	6,40
GDS 2042	85,00	79,40	5,30
GDS 2042/2	85,00	79,60	6,20
GDS 2042/1	85,10	80,50	3,90
GDS 2043	90,00	81,40	9,00
GDS 2044	90,00	83,00	6,50
GDS 2045	90,00	84,40	4,80
GDS 2045/1	91,60	84,60	6,30
GDS 2045/6	93,00	87,40	5,30
GDS 2045/2	95,00	88,30	4,40
GDS 2045/3	95,00	88,30	6,90
GDS 2045/9	95,00	86,40	9,00
GDS 2045/7	95,00	89,40	6,20
GDS 2045/8	97,00	91,40	4,80
GDS 2045/4	100,00	90,00	10,50
GDS 2045/5	100,00	90,20	9,00
GDS 2046	100,00	90,80	9,70
GDS 2047	100,00	91,60	8,60
GDS 2048	100,00	91,40	9,00
GDS 2049	100,00	93,80	6,90
GDS 2049/1	101,60	89,20	9,00
GDS 2049/4	102,00	95,80	6,20
GDS 2049/5	105,00	96,40	9,00
GDS 2049/2	108,80	101,60	6,00
GDS 2049/3	110,00	100,50	9,00
GDS 2050	110,00	101,40	9,00
GDS 2050/1	110,00	100,80	9,70
GDS 2050/8	110,20	100,60	9,00
GDS 2050/6	114,00	107,80	6,20
GDS 2050/9	115,00	106,40	9,00
GDS 2050/9	115,00	106,60	8,60
GDS 2050/3	120,10	110,00	9,00
GDS 2050/2	120,00	111,40	9,00
GDS 2050/4	120,10	114,40	9,00
GDS 2050/5	120,10	113,00	6,30
GDS 2050/9	120,20	110,60	9,00
GDS 2051	125,00	115,80	9,70
GDS 2052	125,00	116,40	9,00
GDS 2053	125,00	116,60	8,60
GDS 2053/1	130,00	121,40	9,00
GDS 2053/2	135,00	123,40	12,30
GDS 2054	140,00	128,40	12,30
GDS 2054/1	140,00	130,80	9,70
GDS 2055	140,00	131,60	8,60
GDS 2055/1	142,00	132,00	10,50
GDS 2056	150,00	138,40	12,30
GDS 2056/2	150,00	140,80	9,70
GDS 2056/1	150,00	141,60	8,60
GDS 2057	160,00	148,40	12,30
GDS 2057/2	160,00	150,80	9,70
GDS 2057/1	162,00	152,00	10,50

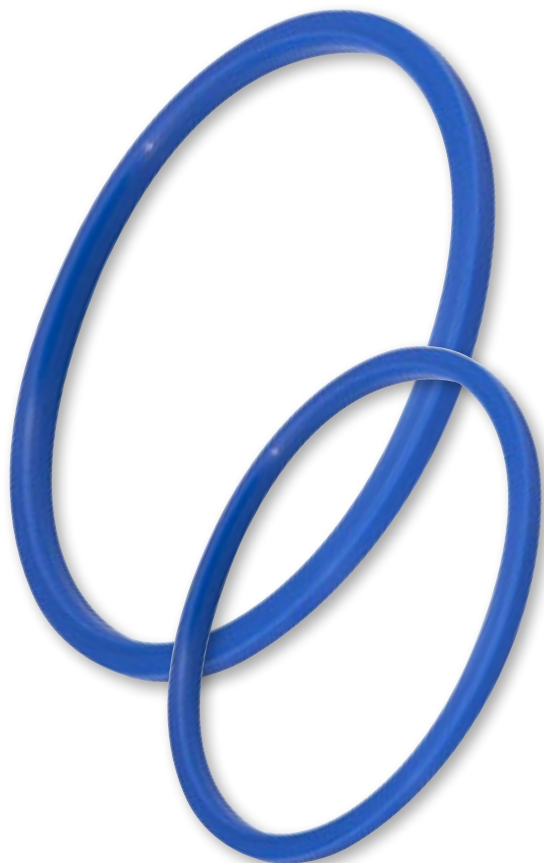




GSS GSS/P

Guarnizioni per TENUTE STATICHE
STATIC seals

TECNOLAN



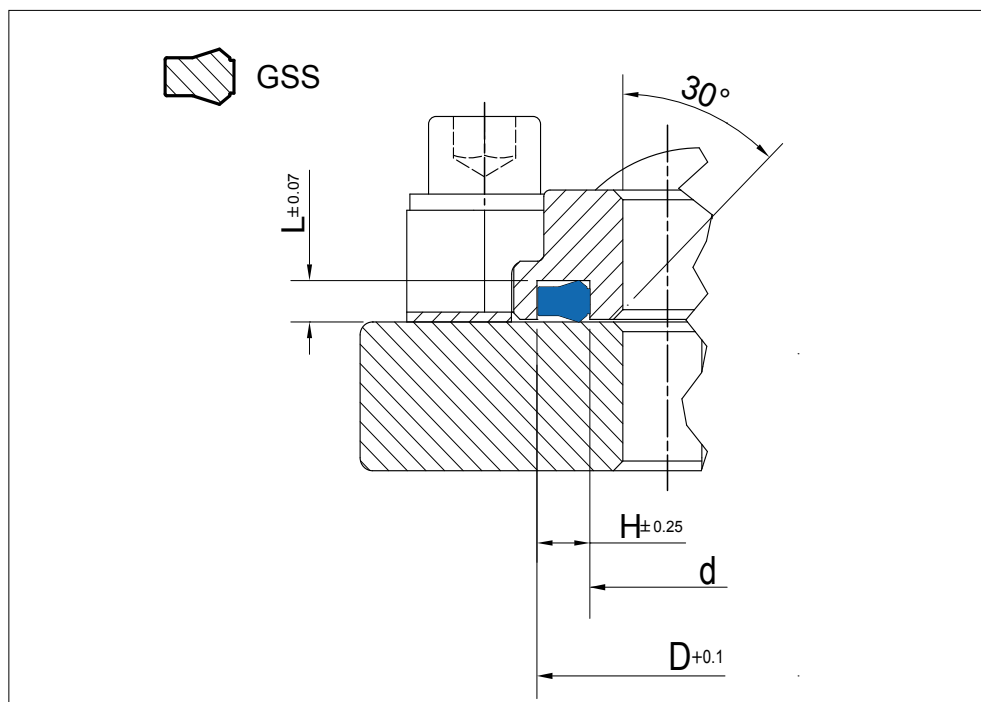
Versione standard	Standard version
Poliuretano	<i>Polyurethane</i>
Pressione fino a / Pressure up to	
40 MPa	
Temperatura / Temperature	
-35°C +100°C	
Applicazioni	Applications
Macchine meccaniche di movimentazione Idraulica mobile	<i>Handling Equipment Mobile hydraulics</i>

GSS • GSS/P

296÷298



GSS GSS/P



PART NR	DIMENSIONI SEDI / Housing dimensions			
	d	D	H	L
GSS 001	6,00	12,00	3,00	2,10
GSS 002	8,00	14,00	3,00	2,10
GSS 003	10,00	16,00	3,00	2,10
GSS 004	12,00	18,00	3,00	2,10
GSS 005	14,00	21,00	3,50	2,10
GSS 006	16,00	23,00	3,50	2,40
GSS 007	20,00	27,00	3,50	2,10
GSS 008	24,00	30,00	3,00	2,10
GSS 009	24,60	31,80	3,60	2,60
GSS 010	25,00	33,00	4,00	2,10
GSS 011	26,30	33,50	3,60	2,10
GSS 012	30,00	38,00	4,00	2,10
GSS 013	32,00	40,00	4,00	3,30
GSS 014	32,00	40,00	4,00	3,00
GSS 015	40,00	48,00	4,00	3,00

PART NR		DIMENSIONI SEDI / Housing dimensions			
		d	D	H	L
GSS/P 150	1/2"	17,00	25,40	4,20	2,85
GSS/P 151	3/4"	23,40	31,80	4,20	2,85
GSS/P 152	1"	31,24	39,62	4,20	2,85
GSS/P 153	1 1/4"	36,10	44,50	4,20	2,85
GSS/P 154	1 1/2"	45,40	53,80	4,20	2,85
GSS/P 155	2"	55,00	63,40	4,20	2,85
GSS/P 156	2 1/2"	67,80	76,20	4,20	2,85
GSS/P 157	3"	83,55	91,95	4,20	2,85



O-RING GKS GKM

Guarnizioni per TENUTE STATICHE
STATIC seals

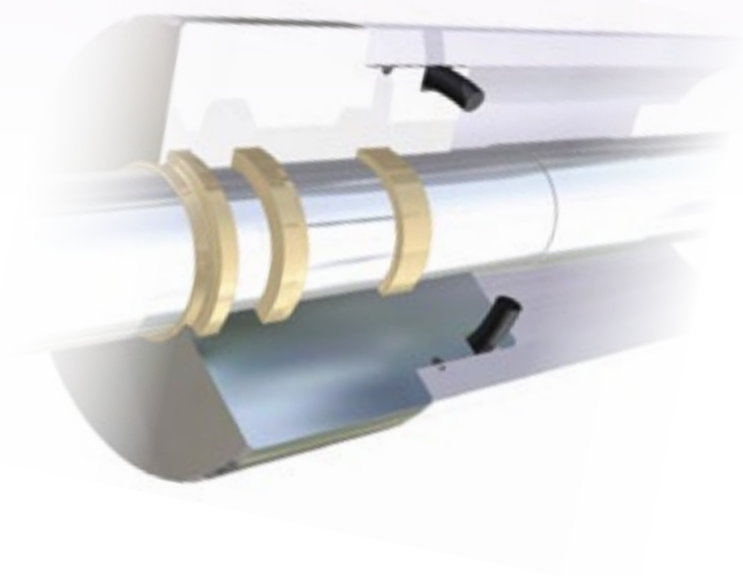
TECNO-RING



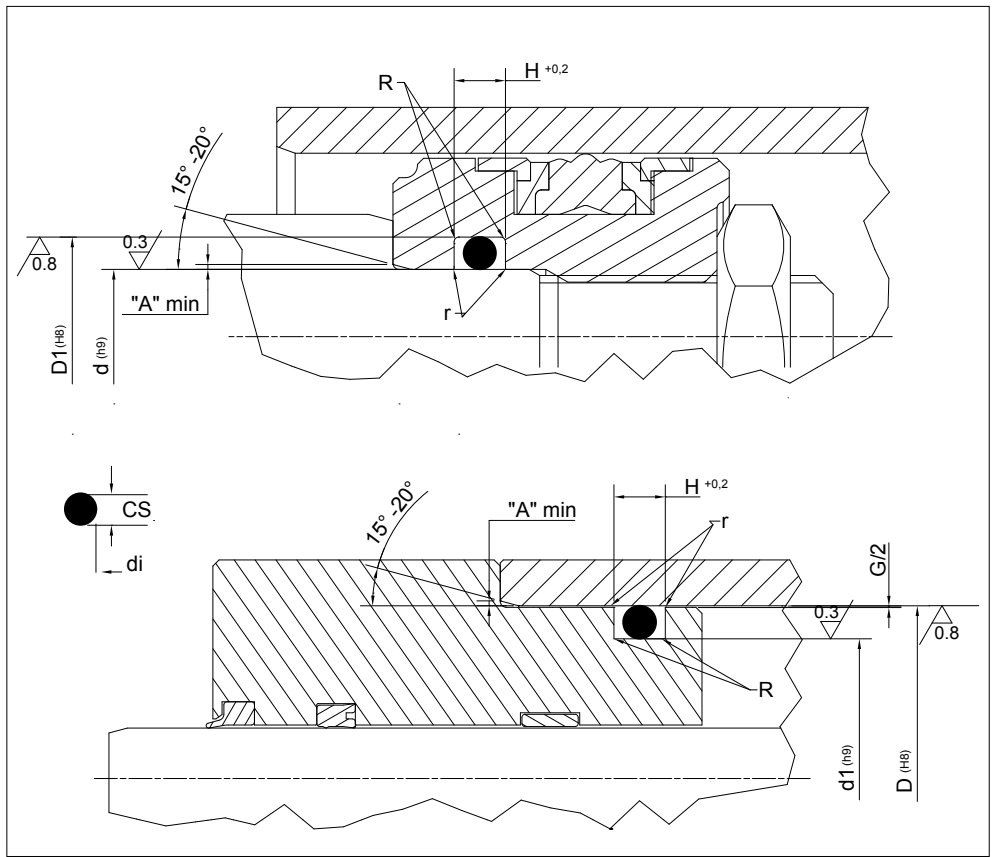
Versione standard		Standard version	
O-RING	NBR	O-RING	NBR
GKS	TPE	GKS	TPE
GKM	TPE	GKM	TPE
Versioni Alternative		Alternative Versions	
O-RING FKM	NBR FKM	O-RING FKM	NBR FKM
O-RING PU	Poliuretano	O-RING PU	Polyurethane
Pressione fino a / Pressure up to			
Statico/Static Radial Sealing 20 MPa (OR) 40 MPa (OR+GKS) (OR+GKM) 200 MPa (OR+GKS special)		Dinamico/Dynamic Radial Sealing Oltre/Over 5 MPa (OR+GKS) (OR+GKM)	
Velocità DINAMICO fino a / DYNAMIC Speed up to			
0.5 m/s			
Velocità IN ROTAZIONE fino a / ROTATION Speed up to			
2 m/s			
Temperatura / Temperature			
-30°C +110°C NBR	-20°C +200°C FKM	-35°C+100°C PU	-40°C +140°C TPE

O-RING • GKS • GKM

300÷314



O-RING GKS



Static Seal design guidelines

R	0mm < d ≤ 20mm	20mm < d ≤ 50mm	50mm < d ≤ 100mm	d ≥ 100mm
	max 0.50 mm	max 0.80 mm	max 1 mm	max 1.5 mm
r	remove sharp edges: r ≤ 0.3mm			
A	1 mm	2 mm	3 mm	3 mm < A ≤ 5 mm

Operating pressure to determinate Maximum Gap Allowance: G/2

G	O-ring Cross Section (CS)	Operating pressure to determinate Maximum Gap Allowance: G/2			
		> 16 MPa	> 26 MPa	> 32 MPa	> 40 MPa
	1.78	0.40 mm	0.40 mm	0.30 mm	0.20 mm
	2.62	0.70 mm	0.60 mm	0.50 mm	0.30 mm
	3.53	1.00 mm	0.80 mm	0.70 mm	0.50 mm
	5.34	1.00 mm	0.80 mm	0.70 mm	0.50 mm
	6.99	1.10 mm	0.90 mm	0.70 mm	0.70 mm

TECNORING	PART NR	OR UK	U.S.A	O-Ring Dimensions		Housing Dimensions					GDS for O-Ring grooves				
				di	CS	H	D	d1	d	D1	OR	OR+1GKS	OR+2GKS		
	10.001	2007	004	1,78	1,78										
	10.002	2010	005	2,57	1,78										
	10.003	101	2012	006	2,90	1,78	2,40	6,35	3,73	3,12	5,74				
	10.004		801	3,17	1,78										
	10.005	102	2015	007	3,69	1,78	2,40	7,14	4,52	3,91	6,53				
	10.006	103	2018	008	4,47	1,78	2,40	7,93	5,31	4,70	7,32				
	10.006/1		802	4,76	1,78										
	10.007	104	2021	009	5,28	1,78	2,40	8,74	6,12	5,51	8,13	2,50	4,00	5,50	
	10.008	105	2025	010	6,07	1,78	2,40	9,53	6,91	6,30	8,92				
	10.008/1		803	6,35	1,78										
	10.009	106	610	6,75	1,78	2,40	10,32	7,70	7,08	9,70					
	10.010	107	2031	011	7,65	1,78	2,40	11,11	8,49	7,78	10,49				
	10.010/1		804	7,94	1,78										
	10.011			8,48	1,78										
	10.012	108	611	8,73	1,78	2,40	12,30	9,68	9,07	11,69					

TECNORING			O-Ring Dimensions		Housing Dimensions					GDS for O-Ring grooves			
	PART NR	OR UK	U.S.A	di	CS	H	D	d1	d	D1	OR	OR+1GKS	OR+2GKS
10.013	110	2037	012	9,25	1,78	2,40	12,70	10,08	9,47	12,09			
10.013/1				9,52	1,78								
10.014				9,75	1,78								
10.015		2043	013	10,82	1,78	2,40	14,30	11,68	11,10	13,72			
10.016	114		806	11,11	1,78	2,40	14,68	12,06	11,51	14,13			
10.017		2050	014	12,42	1,78	2,40	15,88	13,26	12,70	15,32			
10.018		2056	015	14,00	1,78	2,40	17,48	14,86	14,28	16,90			
10.019		2062	016	15,60	1,78	2,40	19,05	16,43	15,88	18,50			
10.020		2068	017	17,17	1,78	2,40	20,63	18,01	17,48	20,10			
10.021		2075	018	18,77	1,78	2,40	22,23	19,61	19,05	21,67			
10.022		2081	019	20,35	1,78	2,40	23,80	21,18	20,63	23,25			
10.023		2087	020	21,95	1,78	2,40	25,40	22,78	22,23	24,85			
10.024		2093	021	23,52	1,78	2,40	26,98	24,36	23,81	26,42			
10.025		2100	022	25,12	1,78	2,40	28,58	25,96	25,40	28,02			
10.026		2106	023	26,70	1,78	2,40	30,18	27,56	26,98	29,60			
10.027		2112	024	28,30	1,78	2,40	31,75	29,13	28,58	31,20			
10.028		2118	025	29,87	1,78	2,40	33,33	30,71	30,18	32,80			
10.029		2125	026	31,47	1,78	2,40	34,93	32,31	31,75	34,37			
10.030		2131	027	33,05	1,78	2,40	36,50	33,88	33,33	35,95			
10.031		2137	028	34,65	1,78	2,40	38,10	35,48	34,93	37,55			
10.031/1			517	36,27	1,78	2,40							
10.032		2150	029	37,82	1,78	2,40							
10.032/1			519	39,45	1,78	2,40							
10.033		2162	030	41,00	1,78	2,40							
10.034		2175	031	44,17	1,78	2,40							
10.035		2187	032	47,35	1,78	2,40							
10.036		2200	033	50,52	1,78	2,40							
10.037		2212	034	53,70	1,78	2,40							
10.038		2225	035	56,87	1,78	2,40							
10.039		2237	036	60,04	1,78	2,40							
10.040		2250	037	63,22	1,78	2,40							
10.041		2262	038	66,40	1,78	2,40							
10.042		2275	039	69,57	1,78	2,40							
10.043		2287	040	72,75	1,78	2,40							
10.044		2300	041	75,92	1,78	2,40							
10.044/1		2312	532	79,00	1,78	2,40							
10.045		2325	042	82,27	1,78	2,40							
10.045/1		2337	534	85,34	1,78	2,40							
10.046		2350	43	88,62	1,78	2,40							
10.046/1		2362	536	91,70	1,78	2,40							
10.047		2375	44	94,97	1,78	2,40							
10.047/1		2387	538	98,05	1,78	2,40							
10.048		2400	045	101,32	1,78	2,40							
10.048/1		2412	540	104,40	1,78	2,40							
10.049		2425	046	107,67	1,78	2,40							
10.049/1		2437	542	110,74	1,78	2,40							
10.050		2450	047	114,02	1,78	2,40							
10.050/1		2462	544	117,10	1,78	2,40							
10.051		2475	048	120,37	1,78	2,40							
10.051/1		2487	546	123,44	1,78	2,40							

2,50
4,00
5,50

TECNORING

Guarnizioni per
TENUTE STATICHE
STATIC seals

O-RING GKS



O-RING GKS



TECNORING			O-Ring Dimensions		Housing Dimensions					GDS for O-Ring grooves			
	PART NR	OR UK	U.S.A	di	CS	H	D	d1	d	D1	OR	OR*1GKS	OR*2GKS
10.052	2500	049	126,72	1,78	2,40						2,50	4,00	5,50
10.052/1	2512	548	129,40	1,78	2,40								
10.053	2525	050	133,07	1,78	2,40								
10.053/1	2537	550	135,76	1,78	2,40								
10.053/2	2550	551	138,94	1,78	2,40								
10.053/3	2562	552	142,11	1,78	2,40								
10.053/4	2575	553	145,29	1,78	2,40								
10.053/5	2587	554	148,46	1,78	2,40								
10.053/6	2600	555	151,64	1,78	2,40								
10.053/7	2612	556	154,81	1,78	2,40								
10.053/8	2625	557	158,00	1,78	2,40								
10.053/9	2637	558	161,16	1,78	2,40								
10.053/10	2652	559	164,34	1,78	2,40								
10.053/11	2662	560	167,51	1,78	2,40								
10.053/12	2675	561	170,69	1,78	2,40								
10.053/13	2687	562	173,87	1,78	2,40								
10.054/1		102	1,24	2,62	3,60						3,50	5,00	6,50
10.054/2		103	2,06	2,62	3,60								
10.054/3		104	2,84	2,62	3,60								
10.054/4		105	3,63	2,62	3,60								
10.054/5		106	4,42	2,62	3,60								
10.054/6		107	5,23	2,62	3,60								
10.054/7		108	6,02	2,62	3,60								
10.054/8		109	7,59	2,62	3,60								
10.054	109		9,13	2,62	3,60								
10.055	111	3037	110	9,19	2,62	3,60							
10.056	112		613	9,90	2,62	3,60							
10.057	113	3043	111	10,77	2,62	3,60							
10.058	115		614	11,91	2,62	3,60							
10.059	116	3050	112	12,37	2,62	3,60							
10.059/1		807	12,70	2,62	3,60								
10.060	117		615	13,10	2,62	3,60							
10.061	118	3056	113	13,94	2,62	3,60							
10.062	119		616	15,08	2,62	3,60							
10.063				15,34	2,62	3,60							
10.064	120	3062	114	15,54	2,62	3,60							
10.065	121		809	15,88	2,62	3,60							
10.066	122	3068	115	17,12	2,62	3,60							
10.066/1		810	17,46	2,62	3,60								
10.067	123		617	17,86	2,62	3,60	23,02	18,83	18,20	22,39			
10.068	124	3075	116	18,72	2,62	3,60	23,81	19,62	19,00	23,19			
10.069	127	3081	117	20,30	2,62	3,60	25,80	21,61	21,03	25,22			
10.070	128		812	20,64	2,62	3,60							
10.071		3087	118	21,89	2,62	3,60							
10.072	130		813	22,22	2,62	3,60	27,38	23,19	22,62	26,81			
10.073		3093	119	23,47	2,62	3,60	28,58	24,39	23,80	27,99			
10.074	132		814	23,81	2,62	3,60	28,97	24,78	24,21	28,40			
10.075		3100	120	25,07	2,62	3,60	30,18	25,99	25,40	29,59			
10.076		3106	121	26,64	2,62	3,60	31,75	27,56	26,98	31,17			
10.077		3112	122	28,24	2,62	3,60	33,33	29,14	28,58	32,77			

TECNOLOGIA	PART NR	OR UK	U.S.A	O-Ring Dimensions		Housing Dimensions					GDS for O-Ring grooves		
				di	CS	H	D	d1	d	D1	OR	OR+1GKS	OR+2GKS
	10.079	3118	123	29,82	2,62	3,60	34,93	30,74	30,18	34,37			
	10.080	3125	124	31,42	2,62	3,60	36,50	32,31	31,75	35,94			
	10.081	3131	125	32,99	2,62	3,60	38,10	33,91	33,33	37,52			
	10.082	3137	126	34,59	2,62	3,60	39,70	35,51	34,93	39,12			
	10.083	3143	127	36,17	2,62	3,60	41,28	37,09	36,50	40,69			
	10.084	3150	128	37,77	2,62	3,60	42,88	38,69	38,10	42,29			
	10.085	3156	129	39,34	2,62	3,60	44,45	40,26	39,68	43,87			
	10.086	3162	130	40,94	2,62	3,60	46,03	41,84	41,28	45,47			
	10.087	3168	131	42,52	2,62	3,60	47,63	43,44	42,88	47,07			
	10.088	3175	132	44,12	2,62	3,60	49,20	45,01	44,45	48,64			
	10.089	3181	133	45,69	2,62	3,60	50,80	46,61	46,03	50,22			
	10.090	3187	134	47,29	2,62	3,60	52,38	48,19	47,63	51,82			
	10.091	3193	135	48,90	2,62	3,60	53,98	49,79	49,20	53,39			
	10.092	3200	136	50,47	2,62	3,60	55,58	51,39	50,80	54,99			
	10.093	3206	137	52,07	2,62	3,60	57,15	52,96	52,38	56,57			
	10.094	3212	138	53,64	2,62	3,60	58,73	54,54	53,98	58,17			
	10.095	3218	139	55,25	2,62	3,60	60,33	56,14	55,58	59,77			
	10.096	3225	140	56,82	2,62	3,60	61,90	57,71	57,15	61,34			
	10.097	3231	141	58,42	2,62	3,60	63,50	59,31	58,73	62,92			
	10.098	3237	142	59,99	2,62	3,60	65,10	60,91	60,33	64,52			
	10.099	3243	143	61,60	2,62	3,60	66,68	62,49	61,90	66,09			
	10.100	3250	144	63,17	2,62	3,60	68,28	64,09	63,50	67,69			
	10.101	3256	145	64,77	2,62	3,60	69,85	65,66	65,08	69,27			
	10.102	3262	146	66,34	2,62	3,60	71,43	67,24	66,68	70,87			
	10.103	3268	147	67,95	2,62	3,60	73,03	68,84	68,28	72,47			
	10.104	3275	148	69,52	2,62	3,60	74,60	70,41	69,85	74,04			
	10.105	3281	149	71,12	2,62	3,60	76,60	72,01	71,43	75,62			
	10.106	3287	150	72,69	2,62	3,60							
	10.106/1		640	74,30	2,62	3,60							
	10.107	3300	151	75,87	2,62	3,60							
	10.107/1		641	77,50	2,62	3,60							
	10.107/2		642	80,60	2,62	3,60							
	10.108	3325	152	82,22	2,62	3,60							
	10.108/1		643	83,80	2,62	3,60							
	10.109	3350	153	88,57	2,62	3,60							
	10.110	3375	154	94,92	2,62	3,60							
	10.111	3400	155	101,27	2,62	3,60							
	10.112	3425	156	107,62	2,62	3,60							
	10.113	3450	157	113,97	2,62	3,60							
	10.114	3475	158	120,32	2,62	3,60							
	10.115	3500	159	126,67	2,62	3,60							
	10.116	3525	160	133,02	2,62	3,60							
	10.117	3550	161	139,37	2,62	3,60							
	10.118	3575	162	145,72	2,62	3,60							
	10.119	3600	163	152,07	2,62	3,60							
	10.120	3625	164	158,42	2,62	3,60							
	10.121	3650	165	164,77	2,62	3,60							
	10.122	3675	166	171,12	2,62	3,60							
	10.123	3700	167	177,47	2,62	3,60							
	10.124	3725	168	183,82	2,62	3,60							
	10.125	3750	169	190,17	2,62	3,60							

3,60
5,00
6,50

Guarnizioni per
TENUTE STATICHE
STATIC seals

O-RING GKS



O-RING GKS



TECNORING			O-Ring Dimensions		Housing Dimensions					GDS for O-Ring grooves			
	PART NR	OR UK	U.S.A	di	CS	H	D	d1	d	D1	OR	OR+1GKS	OR+2GKS
10.126	3775	170	196,52	2,62	3,60						3,50	5,00	6,50
10.127	3800	171	202,87	2,62	3,60								
10.128	3825	172	209,22	2,62	3,60								
10.129	3850	173	215,57	2,62	3,60								
10.130	3875	174	221,92	2,62	3,60								
10.131	3900	175	228,27	2,62	3,60								
10.132	3925	176	234,62	2,62	3,60								
10.133	3950	177	240,97	2,62	3,60								
10.134	3975	178	247,32	2,62	3,60								
10.135/1		201	4,34	3,53	4,80								
10.135/2		202	5,94	3,53	4,80								
10.135/3		203	7,52	3,53	4,80								
10.135/4		204	9,12	3,53	4,80								
10.135/5		205	10,69	3,53	4,80								
10.135/6		206	12,29	3,53	4,80								
10.135/7		207	13,87	3,53	4,80								
10.135/8		208	15,47	3,53	4,80								
10.135/9		209	17,04	3,53	4,80								
10.135	125	4075	210	18,64	3,53	4,80	25,43	19,71	19,00	24,72			
10.136	126	4081	211	20,22	3,53	4,80	27,00	21,28	20,55	26,27			
10.137	129	4087	212	21,82	3,53	4,80	28,60	22,88	22,15	27,87			
10.138	131	4093	213	23,39	3,53	4,80	30,18	24,46	23,72	29,44			
10.139	133	4100	214	24,99	3,53	4,80	31,78	26,06	25,32	31,04			
10.140	134	618	215	25,80	3,53	4,80	32,58	26,86	26,13	31,85			
10.141	135	4106	216	26,57	3,53	4,80	33,35	27,63	26,90	32,62			
10.142	136	4112	217	28,17	3,53	4,80	34,95	29,23	28,50	34,22			
10.143	137	4118	218	29,74	3,53	4,80	36,53	30,81	30,07	35,79			
10.144	138	4125	219	31,34	3,53	4,80	38,13	32,41	31,67	37,39			
10.145	139	4131	220	32,92	3,53	4,80	39,70	33,98	33,25	38,97			
10.146	140	4137	221	34,52	3,53	4,80	41,30	35,58	34,85	40,57			
10.147	141	4143	222	36,09	3,53	4,80	42,88	37,16	36,42	42,14			
10.148	142	4150	223	37,69	3,53	4,80	44,48	38,76	38,02	43,74			
10.149	144	824	224	39,70	3,53	4,80	46,49	40,77	40,02	45,74			
10.150	4162	225	40,87	3,53	4,80	47,65	41,94	41,20	46,91				
10.151	146	825	226	41,28	3,53	4,80	48,05	42,33	41,61	47,33			
10.152	147	826	227	42,86	3,53	4,80	49,64	43,92	43,19	48,91			
10.153	4175	228	44,04	3,53	4,80	50,83	45,11	44,37	50,09				
10.154	149	827	229	44,45	3,53	4,80	51,22	45,50	44,77	50,49			
10.155	150	828	230	46,04	3,53	4,80	52,80	47,08	46,35	52,07			
10.156	4187	231	47,22	3,53	4,80	54,00	48,29	47,55	53,26				
10.157	152	829	232	47,62	3,53	4,80	54,39	48,67	47,94	53,66			
10.158	153	830	233	49,21	3,53	4,80	55,98	50,26	49,53	55,25			
10.159	4200	234	50,39	3,53	4,80	57,18	51,46	50,72	56,44				
10.160	155	831	235	50,80	3,53	4,80	57,57	51,85	51,12	56,84			
10.161	156	832	236	52,40	3,53	4,80	59,17	53,45	52,70	58,42			
10.162	4212	237	53,57	3,53	4,80	60,35	54,64	53,90	59,61				
10.163	158	833	238	53,97	3,53	4,80	60,74	55,02	54,29	60,01			
10.164	834	239	55,56	3,53	4,80	62,34	56,62	55,88	61,60				
10.165	4225	240	56,74	3,53	4,80	63,92	57,81	57,07	62,79				
10.166	161	835	241	57,15	3,53	4,80	63,92	58,22	57,47	63,19			

O-RING GKS

TECNO-RING			O-Ring Dimensions		Housing Dimensions					GDS for O-Ring grooves			
	PART NR	OR UK	U.S.A	di	CS	H	D	d1	d	D1	OR	OR+1GKS	OR+2GKS
10.167	162		836	58,74	3,53	4,80	65,50	59,78	59,05	64,77			
10.168		4237	229	59,92	3,53	4,80	66,70	60,99	60,25	65,96			
10.169	164		837	60,32	3,53	4,80	67,09	61,37	60,66	66,38			
10.170	165		838	61,90	3,53	4,80	68,68	62,96	62,23	67,95			
10.171		4250	230	63,09	3,53	4,80	69,88	64,16	63,42	69,14			
10.172	167		839	63,50	3,53	4,80	70,27	64,55	63,82	69,54			
10.173	168		840	65,10	3,53	4,80	71,85	66,13	65,40	71,12			
10.174		4262	231	66,27	3,53	4,80	73,05	67,34	66,60	72,31			
10.175	170		841	66,67	3,53	4,80	73,45	67,75	67,00	72,72			
10.176	171		842	68,26	3,53	4,80	75,02	69,30	68,58	74,30			
10.177		4275	232	69,44	3,53	4,80	76,23	70,51	69,77	75,49			
10.178	174		843	69,85	3,53	4,80	76,62	70,90	70,17	75,89			
10.179	174		844	71,44	3,53	4,80	78,20	72,48	71,75	77,47			
10.180		4287	233	72,62	3,53	4,80	79,40	73,69	72,95	78,66			
10.181		176	845	73,03	3,53	4,80	79,79	74,04	73,34	79,06			
10.182		177	846	74,61	3,53	4,80	81,38	75,66	74,93	80,65			
10.183		4300	234	75,79	3,53	4,80	82,58	76,86	76,10	81,81			
10.185		4312	235	78,97	3,53	4,80	85,78	80,06	79,27	84,99			
10.186		4325	236	82,14	3,53	4,80	88,95	83,23	82,45	88,16			
10.187		4337	237	85,32	3,53	4,80	92,13	86,41	85,62	91,34			
10.188		4350	238	88,49	3,53	4,80	95,09	89,37	88,80	94,51			
10.189		4362	239	91,67	3,53	4,80	98,48	92,76	91,97	97,69			
10.190		4375	240	94,84	3,53	4,80			95,15	100,86			
10.191		4387	241	98,02	3,53	4,80			98,32	104,04			
10.192		4400	242	101,19	3,53	4,80			101,50	107,21			
10.193		4412	243	104,37	3,53	4,80			104,67	110,39			
10.194		4425	244	107,54	3,53	4,80			107,85	113,56			
10.195		4437	245	110,72	3,53	4,80			111,02	116,74			
10.196		4450	246	113,89	3,53	4,80			114,20	119,91			
10.197		4462	247	117,07	3,53	4,80			117,37	123,09			
10.198		4475	248	120,24	3,53	4,80			120,55	126,26			
10.199		4487	249	123,42	3,53	4,80			123,72	129,44			
10.200		4500	250	126,59	3,53	4,80			126,90	132,61			
10.201		4512	251	129,77	3,53	4,80			130,07	135,79			
10.202		4525	252	132,94	3,53	4,80			133,25	138,96			
10.203		4537	253	136,12	3,53	4,80			136,42	142,14			
10.204		4550	254	139,29	3,53	4,80			139,60	145,31			
10.205		4562	255	142,47	3,53	4,80			142,77	148,49			
10.206		4575	256	145,64	3,53	4,80			145,95	151,66			
10.207		4587	257	148,82	3,53	4,80			149,12	154,84			
10.208		4600	258	151,99	3,53	4,80			152,30	158,01			
10.209		4625	259	158,34	3,53	4,80			158,65	164,36			
10.210		4650	260	164,69	3,53	4,80			165,00	170,71			
10.211		4675	261	171,04	3,53	4,80			171,35	177,06			
10.212		4700	262	177,39	3,53	4,80			177,70	183,41			
10.213		4725	263	183,74	3,53	4,80			184,05	189,76			
10.214		4750	264	190,09	3,53	4,80			190,40	196,11			
10.215		4775	265	196,44	3,53	4,80			196,75	202,46			
10.216		4800	266	202,79	3,53	4,80			203,10	208,81			
10.217		4825	267	209,14	3,53	4,80			209,45	215,16			

4,50
6,00
7,50



O-RING GKS



TECNORING			O-Ring Dimensions		Housing Dimensions					GDS for O-Ring grooves			
	PART NR	OR UK	U.S.A	di	CS	H	D	d1	d	D1	OR	OR*1GKS	OR*2GKS
10.218	4850	268	215,49	3,53	4,80				215,80	221,51	4,50	6,00	7,50
10.219	4875	269	221,84	3,53	4,80				222,15	227,86			
10.220	4900	270	228,19	3,53	4,80				228,50	234,21			
10.221	4925	271	234,54	3,53	4,80				234,85	240,56			
10.222	4950	272	240,89	3,53	4,80				241,20	246,91			
10.223	4975	273	247,24	3,53	4,80				247,55	253,26			
10.224		274	253,59	3,53	4,80				253,90	259,61			
10.225		275	266,29	3,53	4,80								
10.226		276	278,99	3,53	4,80								
10.227		277	291,69	3,53	4,80								
10.228		278	304,39	3,53	4,80								
10.229		279	329,79	3,53	4,80								
10.230		280	355,19	3,53	4,80								
10.231		281	380,59	3,53	4,80								
10.232		282	405,26	3,53	4,80								
10.233		283	430,66	3,53	4,80								
10.234		284	456,06	3,53	4,80								
10.235/1		309	10,46	5,34	7,10								
10.235/2		310	12,07	5,34	7,10								
10.235/3		311	13,64	5,34	7,10								
10.235/4		312	15,24	5,34	7,10								
10.235/5		313	16,81	5,34	7,10								
10.235/6		314	18,42	5,34	7,10								
10.235/7		315	19,99	5,34	7,10								
10.235/8		316	21,59	5,34	7,10								
10.235/9		317	23,16	5,34	7,10								
10.235/10		318	24,77	5,34	7,10								
10.235/11		319	26,34	5,34	7,10								
10.235/12		320	27,94	5,34	7,10								
10.235/13		321	29,51	5,34	7,10								
10.235/14		322	31,12	5,34	7,10								
10.235/15		323	32,69	5,34	7,10								
10.235/16		324	34,29	5,34	7,10								
10.235	143	6150	325	37,47	5,34	7,10	47,65	38,89	38,02	46,78	7,00	8,80	10,60
10.236	145	6162	326	40,64	5,34	7,10	50,83	42,07	41,20	49,96			
10.237				42,52	5,34	7,10							
10.238	148	6175	327	45,82	5,34	7,10							
10.239	151	6187	328	46,99	5,34	7,10	57,18	48,42	47,55	56,31			
10.240	154	6200	329	50,16	5,34	7,10	60,35	51,59	50,72	59,48			
10.241	157	6212	330	53,34	5,34	7,10	63,53	54,77	53,90	62,66			
10.242	160	6225	331	56,52	5,34	7,10	66,70	57,94	57,07	65,83			
10.243	163	6237	332	59,69	5,34	7,10	69,88	61,12	60,25	69,01			
10.244	166	6250	333	62,87	5,34	7,10	73,05	64,29	63,42	72,18			
10.245	169	6262	334	66,04	5,34	7,10	76,23	67,47	66,60	75,36			
10.246	172	6275	335	69,22	5,34	7,10	79,40	70,64	69,77	78,53			
10.247	175	6287	336	72,39	5,34	7,10	82,58	73,82	72,95	81,71			
10.248	178		619	74,63	5,34	7,10	85,00	76,24	75,35	84,11			
10.249	179	6300	337	75,57	5,34	7,10	85,78	77,02	76,10	84,86			
10.250	180	6312	338	78,74	5,34	7,10	88,95	80,19	79,27	88,03			
10.251	181		620	79,77	5,34	7,10	90,93	82,17	81,29	90,05			

O-RING GKS

TECNO-RING			O-Ring Dimensions		Housing Dimensions					GDS for O-Ring grooves			
	PART NR	OR UK	U.S.A	di	CS	H	D	d1	d	D1	OR	OR+1GKS	OR+2GKS
10.252	182	6325	339	81,92	5,34	7,10	92,13	83,37	82,45	91,21			
10.253	183	6337	340	85,09	5,34	7,10	95,30	86,54	85,62	94,38			
10.254	184	6350	341	88,27	5,34	7,10	98,48	89,72	88,80	97,56			
10.255	185		621	89,69	5,34	7,10	100,06	91,30	90,40	99,16			
10.256	186	6362	342	91,44	5,34	7,10	101,65	92,89	91,97	100,73			
10.257	187	6375	343	94,62	5,34	7,10	104,83	96,07	95,15	103,91			
10.258	188	6387	344	97,79	5,34	7,10	108,00	99,24	98,32	107,08			
10.259	189		622	100,00	5,34	7,10	110,38	101,62	100,74	109,50			
10.260	190	6400	345	100,97	5,34	7,10	111,18	102,48	101,50	110,26			
10.261	191	6412	346	104,14	5,34	7,10	114,35	105,54	104,67	113,43			
10.263	192	6425	347	107,32	5,34	7,10	117,53	108,77	107,85	116,61			
10.264	193		623	109,54	5,34	7,10	119,91	111,15	110,23	118,99			
10.265	194	6437	348	110,49	5,34	7,10	120,70	111,94	111,05	119,81			
10.266	195	6450	349	113,67	5,34	7,10	123,88	115,12	114,20	122,96			
10.267			350	116,84	5,34	7,10							
10.268	199		860	117,48	5,34	7,10	127,84	119,08	118,17	126,93			
10.269			351	120,02	5,34	7,10							
10.270	201		861	120,65	5,34	7,10	131,02	122,26	121,34	130,10			
10.271			352	123,19	5,34	7,10							
10.272	203		862	123,83	5,34	7,10	134,19	125,43	124,12	132,88			
10.273			353	126,37	5,34	7,10							
10.274	206		863	127,00	5,34	7,10	137,37	128,61	127,69	136,45			
10.275			354	129,54	5,34	7,10							
10.276	208		864	130,18	5,34	7,10	140,54	131,78	130,87	139,63			
10.277			355	132,72	5,34	7,10							
10.278	210		865	133,35	5,34	7,10	143,72	134,96	134,04	142,80			
10.279			356	135,89	5,34	7,10	146,89	138,13	137,22	145,98			
10.280	213		866	136,53	5,34	7,10							
10.281			357	139,07	5,34	7,10	150,07	141,31	140,39	149,15			
10.282	215		867	139,70	5,34	7,10							
10.283			358	142,24	5,34	7,10							
10.284	217		868	142,88	5,34	7,10	153,24	144,48	143,57	152,33			
10.285			359	145,42	5,34	7,10							
10.286	219		869	146,05	5,34	7,10	156,42	147,66	146,74	155,50			
10.287			360	148,59	5,34	7,10							
10.288	221		870	149,23	5,34	7,10	159,59	150,83	149,92	158,68			
10.289			361	151,77	5,34	7,10							
10.289/1			644	155,00	5,34	7,10							
10.290			362	158,12	5,34	7,10							
10.290/1			645	161,30	5,34	7,10							
10.291			363	164,47	5,34	7,10							
10.291/1			646	167,70	5,34	7,10							
10.292			364	170,82	5,34	7,10							
10.292/1			647	174,00	5,34	7,10							
10.293			365	177,17	5,34	7,10							
10.294			366	183,52	5,34	7,10							
10.295			367	189,87	5,34	7,10							
10.296		6775	368	196,22	5,34	7,10							
10.297		6795	369	202,57	5,34	7,10							
10.298		6820	370	208,92	5,34	7,10							
10.299		6850	371	215,27	5,34	7,10							

7,00
8,80
10,60



O-RING GKS



TECNORING PART NR	GDS for O-Ring grooves		O-Ring Dimensions		Housing Dimensions					OR	OR+1GKS	OR+2GKS	
	OR UK	U.S.A	di	CS	H	D	d1	d	D1				
10.300	6870	372	221,62	5,34	7,10						7,00	8,80	10,60
10.301	6895	373	227,97	5,34	7,10								
10.302	6920	374	234,32	5,34	7,10								
10.303	6945	375	240,67	5,34	7,10								
10.304	6975	376	247,02	5,34	7,10								
10.305	6995	377	253,37	5,34	7,10								
10.306	61050	378	266,07	5,34	7,10								
10.307	61100	379	278,77	5,34	7,10								
10.308	61150	380	291,47	5,34	7,10								
10.309	61200	381	304,17	5,34	7,10								
10.310	61300	382	329,57	5,34	7,10								
10.311	61400	383	354,97	5,34	7,10								
10.312	61500	384	380,37	5,34	7,10								
10.313	61600	385	405,26	5,34	7,10								
10.314	61700	386	430,66	5,34	7,10								
10.315	61800	387	456,06	5,34	7,10								
10.316	61900	388	481,41	5,34	7,10								
10.317	62000	389	506,81	5,34	7,10								
10.318	62100	390	532,21	5,34	7,10								
10.319		391	557,61	5,34	7,10								
10.320		392	582,68	5,34	7,10								
10.321		393	608,08	5,34	7,10								
10.322		394	633,48	5,34	7,10								
10.322/1		395	658,88	5,34	7,10								
10.323	196	8450	425	113,67	6,99	9,50	127,10	115,95	114,20	125,35	9,50	12,00	14,50
10.324	197		624	114,70	6,99	9,50	128,30	117,15	115,20	126,35			
10.325	198	8462	426	116,84	6,99	9,50	130,20	119,05	117,30	128,45			
10.326	200	8475	427	120,02	6,99	9,50	133,40	122,25	120,50	131,65			
10.327	202	8487	428	123,19	6,99	9,50	136,60	125,45	123,70	134,85			
10.328	204		625	124,60	6,99	9,50	138,20	127,05	125,10	136,25			
10.329	205	8500	429	126,37	6,99	9,50	139,80	128,65	126,90	138,05			
10.330	207	8512	430	129,54	6,99	9,50	142,90	131,75	130,00	141,15			
10.331	209	8525	431	132,72	6,99	9,50	146,10	134,95	133,20	144,35			
10.332	211		626	134,50	6,99	9,50	148,20	137,05	135,00	146,15			
10.333	212	8537	432	135,89	6,99	9,50	149,30	138,15	138,15	149,30			
10.334	214	8550	433	139,07	6,99	9,50	152,50	141,35	141,35	152,50			
10.335	216	8562	434	142,24	6,99	9,50	155,60	144,45	144,45	155,60			
10.336	218	8575	435	145,42	6,99	9,50	158,80	147,65	147,65	158,80			
10.337	220	8587	436	148,59	6,99	9,50	162,00	150,85	150,85	162,00			
10.338	222	8600	437	151,77	6,99	9,50	165,20	154,05	154,05	165,20			
10.339	223		872	155,60	6,99	9,50	169,00	157,85	157,85	169,00			
10.340	224	8625	438	158,12	6,99	9,50	171,50	160,35	160,35	171,50			
10.341	225		627	159,50	6,99	9,50	173,00	161,85	161,85	173,00			
10.342	226		874	161,90	6,99	9,50	175,30	164,15	164,15	175,30			
10.343	227	8650	439	164,47	6,99	9,50	177,90	166,75	166,75	177,90			
10.344	228		628	166,70	6,99	9,50	180,20	169,05	169,05	180,20			
10.345	229		876	168,30	6,99	9,50	181,80	170,65	170,65	181,80			
10.346	230	8675	440	170,82	6,99	9,50	184,20	173,05	173,05	184,20			
10.347	231		878	174,60	6,99	9,50	188,20	177,05	177,05	188,20			
10.348	232	8700	441	177,17	6,99	9,50	190,60	179,45	179,45	190,60			

TECNORING			O-Ring Dimensions		Housing Dimensions					GDS for O-Ring grooves			
	PART NR	OR UK	U.S.A.	di	CS	H	D	d1	d	D1	OR	OR+1GKS	OR+2GKS
10.349	233		880	181,00	6,99	9,50	194,50	183,35	183,35	194,50			
10.350	234	8725	442	183,52	6,99	9,50	196,90	185,75	185,75	196,90			
10.351	235		882	187,30	6,99	9,50	20,90	189,75	189,75	200,90			
10.352	236	8750	443	189,87	6,99	9,50	203,30	192,15	192,15	203,30			
10.353	237		884	193,70	6,99	9,50	207,20	196,05	196,05	207,20			
10.354	238	8775	444	196,22	6,99	9,50	209,60	198,45	198,45	209,60			
10.355	239		886	200,00	6,99	9,50	213,60	202,45	202,45	213,60			
10.356	240	8800	445	202,57	6,99	9,50	216,00	204,85	204,85	216,00			
10.357	241	8825	674	208,92	6,99	9,50	222,30	211,15	211,15	222,30			
10.358	242	8850	446	215,27	6,99	9,50	228,70	217,55	217,55	228,70			
10.359	243	8875	676	221,62	6,99	9,50	235,00	223,85	223,85	235,00			
10.360	244	8900	447	227,97	6,99	9,50	241,40	230,25	230,25	241,40			
10.361	245	8925	678	234,32	6,99	9,50	247,70	236,55	236,55	247,70			
10.362	246	8950	448	240,67	6,99	9,50	254,10	242,95	242,95	254,10			
10.363	247	8975	680	247,00	6,99	9,50	260,40	249,25	249,25	260,40			
10.364	248	81000	449	253,37	6,99	9,50	266,80	255,65	255,65	266,80			
10.365	249	81025	682	259,70	6,99	9,50	273,10	261,95	261,95	273,10			
10.366	250	81050	450	266,07	6,99	9,50	279,50	268,35	268,35	279,50			
10.367	251	81075	684	272,40	6,99	9,50	285,80	274,65	274,65	285,80			
10.368	252	81100	451	278,77	6,99	9,50	292,20	281,05	281,05	292,20			
10.369	253	81125	686	285,10	6,99	9,50	298,50	287,35	287,35	298,50			
10.370			-	287,81	6,99	9,50							
10.371	254	81150	452	291,47	6,99	9,50	304,90	293,75	293,75	304,90			
10.372	255	81175	688	297,80	6,99	9,50	311,20	300,05	300,05	311,20			
10.373	256	81200	453	304,17	6,99	9,50	317,60	306,45	306,45	317,60			
10.373/1			648	310,50	6,99	9,50							
10.374	257	81250	454	316,87	6,99	9,50	330,30	319,15	319,15	330,30			
10.374/1			649	323,20	6,99	9,50							
10.375	258	81300	455	329,57	6,99	9,50	343,00	331,85	331,85	343,00			
10.375/1			650	335,90	6,99	9,50	355,70	344,55	344,55	355,70			
10.376	259	81350	456	342,27	6,99	9,50							
10.377	260	81400	457	354,97	6,99	9,50	368,40	357,25	357,25	368,40			
10.378	261	81450	458	367,67	6,99	9,50	381,10	369,95	369,95	381,10			
10.379	262	81500	459	380,37	6,99	9,50	393,80	382,65	382,65	393,80			
10.380	263	81550	460	393,07	6,99	9,50	406,50	395,35	395,35	406,50			
10.381		81600	461	405,26	6,99	9,50							
10.382		81650	462	417,96	6,99	9,50							
10.383		81700	463	430,66	6,99	9,50							
10.384		81750	464	443,36	6,99	9,50							
10.385		81800	465	456,06	6,99	9,50							
10.386		81850	466	468,76	6,99	9,50							
10.387		81900	467	481,46	6,99	9,50							
10.388		81950	468	494,16	6,99	9,50							
10.389		82000	469	506,86	6,99	9,50							
10.390		82100	470	532,26	6,99	9,50							
10.391		82200	471	557,66	6,99	9,50							
10.392		82300	472	582,68	6,99	9,50							
10.393		82400	473	608,08	6,99	9,50							
10.394		82500	474	633,48	6,99	9,50							
10.395		82600	475	656,88	6,99	9,50							

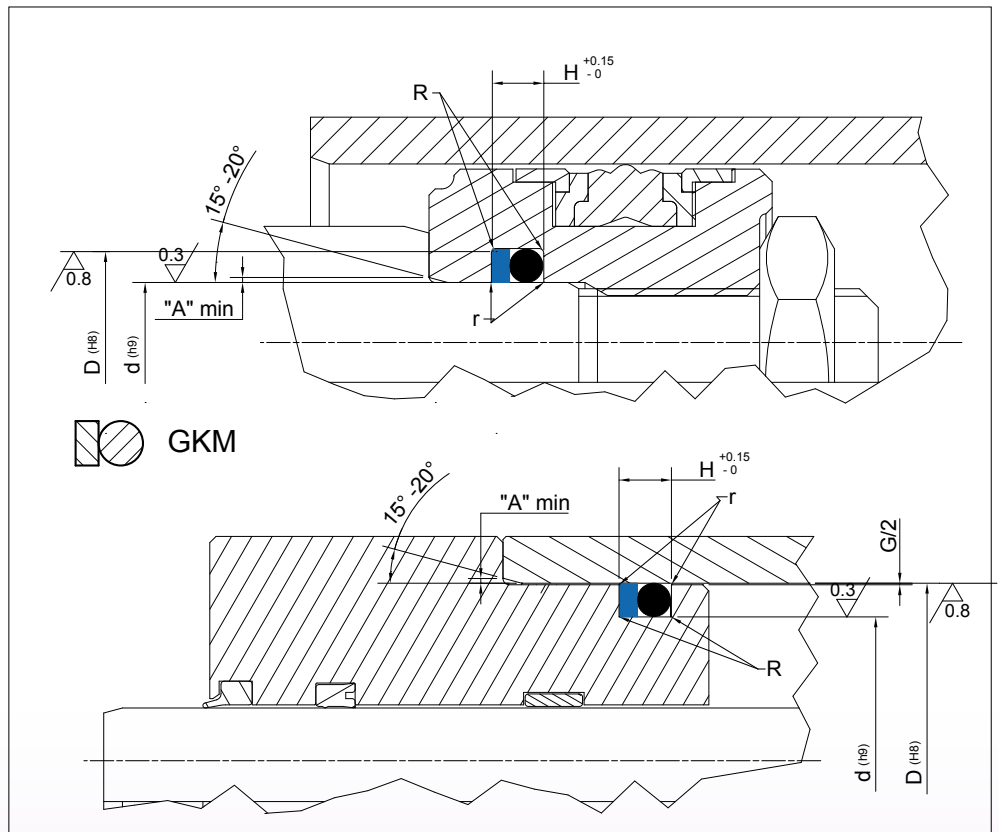
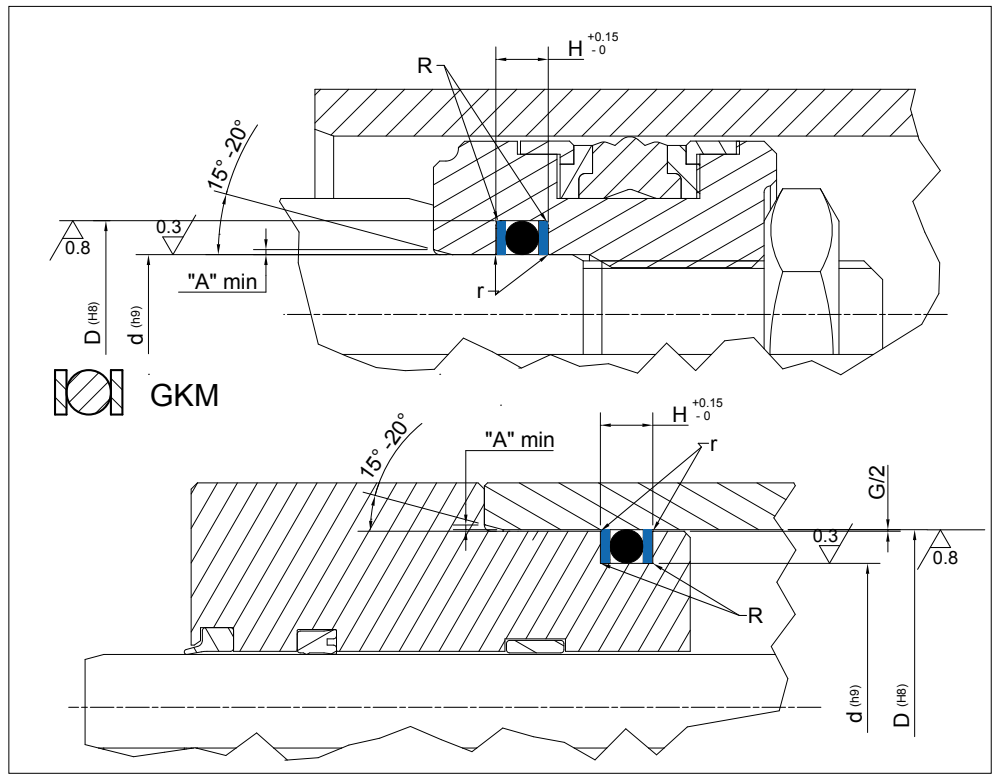
9,50
12,00
14,50

TECNORING

Guarnizioni per
TENUTE STATICHE
STATIC seals

O-RING GKS





Static Seal design guidelines

	0mm < d ≤ 20mm	20mm < d ≤ 50mm	50mm < d ≤ 100mm	d ≥ 100mm
R	max 0.50 mm	max 0.80 mm	max 1 mm	max 1.5 mm
r	remove sharp edges: r ≤ 0.3mm			
A	1 mm	2 mm	3 mm	3 mm < A ≤ 5 mm

Operating pressure to determinate Maximum Gap Allowance: G/2

O-ring Cross Section (CS)		> 16 MPa	> 26 MPa	> 32 MPa	> 40 MPa
G	1.78	0.40 mm	0.40 mm	0.30 mm	0.20 mm
	2.62	0.70 mm	0.60 mm	0.50 mm	0.30 mm
	3.53	1.00 mm	0.80 mm	0.70 mm	0.50 mm
	5.34	1.00 mm	0.80 mm	0.70 mm	0.50 mm
	6.99	1.10 mm	0.90 mm	0.70 mm	0.70 mm

PART NR		DIMENSIONI SEDI / Housing dimensions					
		D	d	h	H1	H2	O-Ring
GKM	15001	8,00	4,00	1,30	4,50	5,80	3,3x2,4
GKM	15002	9,00	5,00	1,30	4,50	5,80	4,3x2,4
GKM	15003	10,00	6,00	1,30	4,50	5,80	5,3x2,4
GKM	15004	11,00	7,00	1,30	4,50	5,80	6,3x2,4
GKM	15005	12,00	8,00	1,30	4,50	5,80	7,3x2,4
GKM	15006	13,00	9,00	1,30	4,50	5,80	8,3x2,4
GKM	15007	14,00	10,00	1,30	4,50	5,80	9,3x2,4
GKM	15008	15,00	11,00	1,30	4,50	5,80	10,3x2,4
GKM	15009	16,00	12,00	1,30	4,50	5,80	11,3x2,4
GKM	15010	17,00	13,00	1,30	4,50	5,80	12,3x2,4
GKM	15011	18,00	14,00	1,30	4,50	5,80	13,3x2,4
GKM	15012	19,00	15,00	1,30	4,50	5,80	14,3x2,4
GKM	15013	20,00	16,00	1,30	4,50	5,80	15,3x2,4
GKM	15014	21,00	17,00	1,30	4,50	5,80	16,3x2,4
GKM	15015	22,00	18,00	1,30	4,50	5,80	17,3x2,4
GKM	15016	25,00	20,00	1,30	5,30	6,60	19,2x3
GKM	15017	28,00	23,00	1,30	5,30	6,60	22,2x3
GKM	15018	30,00	25,00	1,30	5,30	6,60	24,2x3
GKM	15019	32,00	27,00	1,30	5,30	6,60	26,2x3
GKM	15020	35,00	30,00	1,30	5,30	6,60	29,2x3
GKM	15021	38,00	33,00	1,30	5,30	6,60	32,2x3
GKM	15022	40,00	35,00	1,30	5,30	6,60	34,2x3
GKM	15023	42,00	37,00	1,30	5,30	6,60	36,2x3
GKM	15024	45,00	40,00	1,30	5,30	6,60	39,2x3
GKM	15025	48,00	43,00	1,30	5,30	6,60	42,2x3
GKM	15026	50,00	45,00	1,30	5,30	6,60	44,2x3
GKM	15027	53,50	48,50	1,30			
GKM	15028	55,00	50,00	1,30	5,30	6,60	49,5x3
GKM	15029	60,00	55,00	1,30	5,30	6,60	54,5x3
GKM	15030	63,00	58,00	1,30	5,30	6,60	57,5x3
GKM	15031	65,00	60,00	1,30	5,30	6,60	59,5x3
GKM	15032	68,00	63,00	1,30	5,30	6,60	62,0x3
GKM	15033	70,00	65,00	1,30	5,30	6,60	64,5x3
GKM	15034	75,00	70,00	1,30	5,30	6,60	69,5x3
GKM	15035	77,50	72,50	1,30			
GKM	15036	80,00	75,00	1,30	5,30	6,60	74,5x3
GKM	15037	85,00	80,00	1,30	5,30	6,60	79,5x3
GKM	15038	90,00	85,00	1,30	5,30	6,60	84,5x3
GKM	15039	95,00	90,00	1,30	5,30	6,60	89,5x3
GKM	15040	99,00	94,00	1,30	5,30	6,60	93,5x3
GKM	15041	100,00	95,00	1,30	5,30	6,60	94,5x3
GKM	15042	105,00	100,00	1,30	5,30	6,60	99,5x3
GKM	15043	110,00	105,00	1,30	5,30	6,60	104,5x3
GKM	15044	115,00	110,00	1,30	5,30	6,60	109,5x3
GKM	15045	118,00	113,00	1,30	5,30	6,60	112,5x3
GKM	15046	120,00	115,00	1,30	5,30	6,60	114,5x3
GKM	15047	125,00	120,00	1,30	5,30	6,60	119,5x3
GKM	15048	130,00	125,00	1,30	5,30	6,60	124,5x3
GKM	15049	135,00	130,00	1,30	5,30	6,60	129,5x3
GKM	15050	140,00	135,00	1,30	5,30	6,60	134,5x3
GKM	15051	145,00	140,00	1,30	5,30	6,60	139,5x3
GKM	15052	150,00	145,00	1,30	5,30	6,60	144,5x3



